

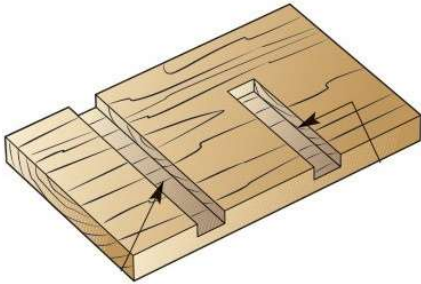
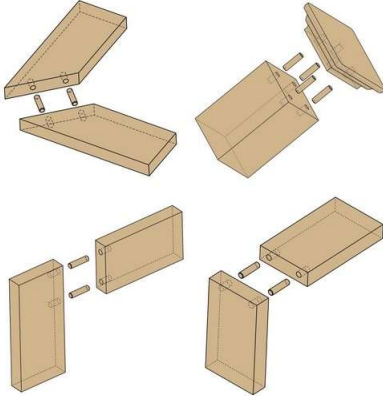
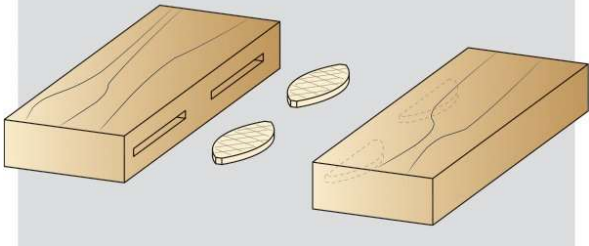


Types of Wood Joints

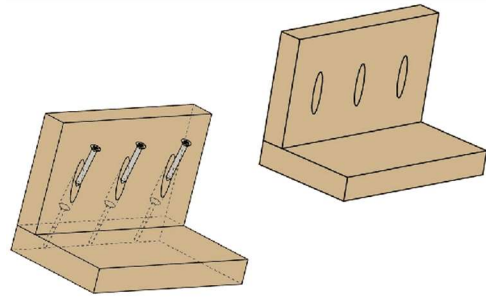
Instructions: Define each type of joint below AND write the corresponding letter to the correct joint on the right. Use <https://nickcornwell.weebly.com/typesofwoodjoints.html>

<p>1. ____ Butt Joint-</p> <p>What tools do you need to make it?</p>	<p>A</p> 
<p>2. ____ Mortise and Tenon Joint-</p> <p>What tools do you need to make it?</p>	<p>B</p> 
<p>3. ____ Dovetail Joint-</p> <p>What tools do you need to make it?</p>	<p>C</p> 
<p>4. ____ Lap Joint-</p> <p>What tools do you need to make it?</p>	<p>D</p> 
<p>5. ____ Miter with Spline Joint-</p> <p>What tools do you need to make it?</p>	<p>E</p> 

6. ___ Box Joint-

What tools do you need to make it?

F



7. ___ Tongue and Groove Joint-

What tools do you need to make it?

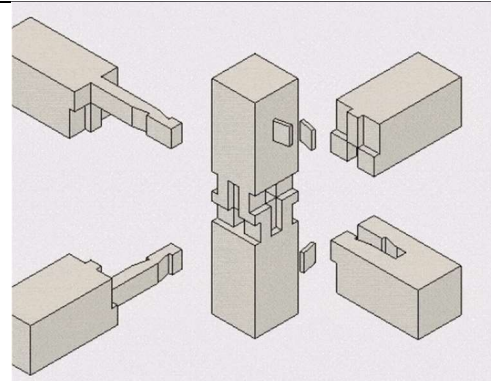
G



8. ___ Rabbet Joint-

What tools do you need to make it?

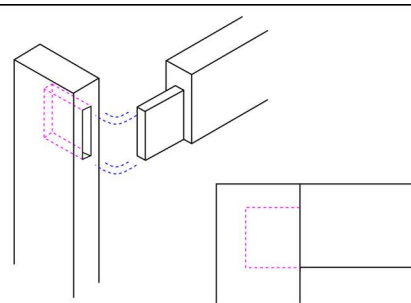
H



9. ___ Dado Joint-

What tools do you need to make it?

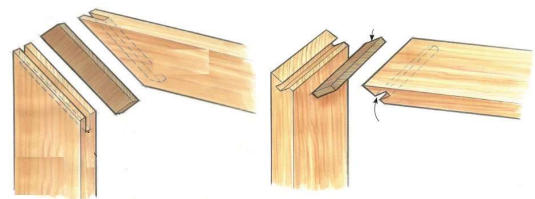
I



10. ___ Doweled Joint-

What tools do you need to make it?

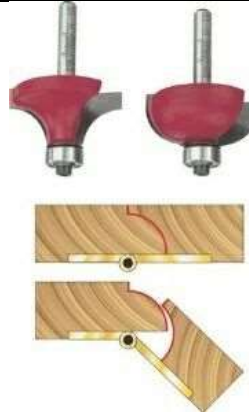
J



11. ___ Biscuit Joint-

What tools do you need to make it?

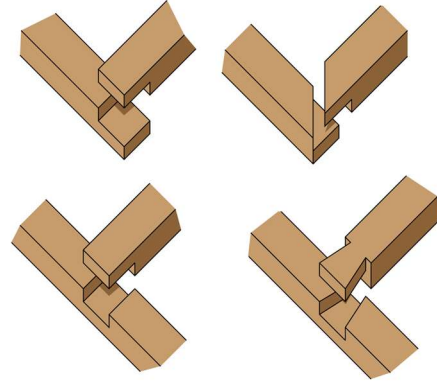
K



12. ___ Domino Joint-

What tools do you need to make it?

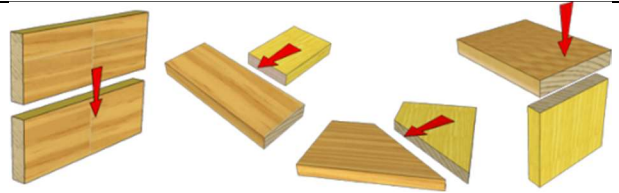
L



13. ___ Japanese Wood Joints-

What tools do you need to make it?

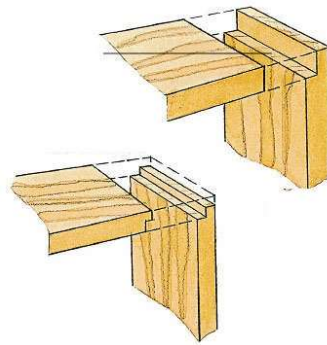
M



14. ___ Pocket Hole Wood Joint-

What tools do you need to make it?

N



15. ___ Drop Leaf Joint-

What tools do you need to make it?

O

